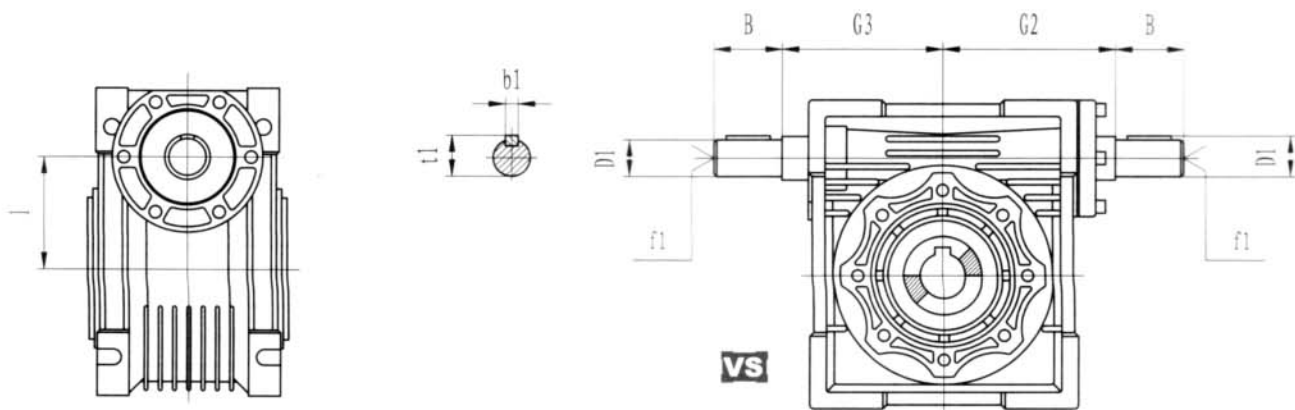
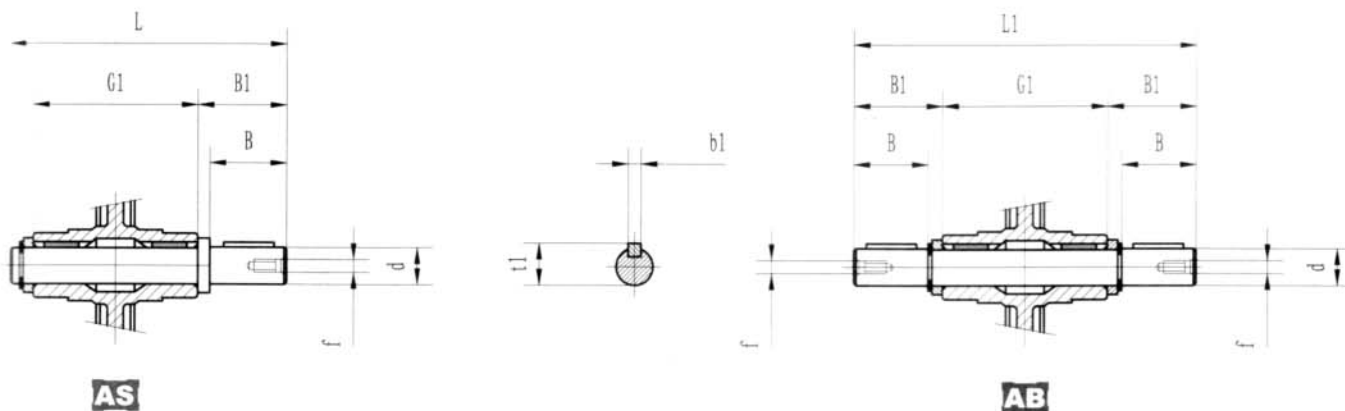


NRV



| NRV | 025 | 030 | 040 | 050 | 063 | 075 | 090 | 110 | 130 |
|-----------|------|------|-------|-------|-------|-------|-------|-------|-------|
| B | 20 | 20 | 23 | 30 | 40 | 50 | 50 | 60 | 80 |
| D1 | 9 j6 | 9 j6 | 11 j6 | 14 j6 | 19 j6 | 24 j6 | 24 j6 | 28 j6 | 30 j6 |
| G2 | 38 | 51 | 60 | 74 | 90 | 105 | 125 | 142 | 162 |
| G3 | 37 | 45 | 53 | 64 | 75 | 90 | 108 | 135 | 155 |
| I | 25 | 30 | 40 | 50 | 63 | 75 | 90 | 110 | 130 |
| b1 | 3 | 3 | 4 | 5 | 6 | 8 | 8 | 8 | 8 |
| f1 | - | - | - | M6 | M6 | M8 | M8 | M10 | M10 |
| t1 | 10.2 | 10.2 | 12.5 | 16 | 21.5 | 27 | 27 | 31 | 33 |

低速轴 Low speed shafts



| | d | B | B1 | G1 | L | L1 | f | b1 | t1 |
|------------|-------------|------------|--------------|-----|--------------|-----|-----|----------|----------------|
| 025 | 11g6 (9) | 23 (25) | 25.5 (30) | 50 | 81 (85.5) | 101 | - | 4 (3) | 12.5 (10.2) |
| 030 | 14g6 | 30 | 32.5 | 63 | 102 | 128 | M6 | 5 | 16 |
| 040 | 18h6 | 40 | 43 | 78 | 128 | 164 | M6 | 6 | 20.5 |
| 050 | 25h6 | 50 | 53.5 | 92 | 153 | 199 | M10 | 8 | 28 |
| 063 | 25h6 | 50 | 53.5 | 112 | 173 | 219 | M10 | 8 | 28 |
| 075 | 28h6 | 60 | 63.5 | 120 | 192 | 247 | M10 | 8 | 31 |
| 090 | 35h6 | 80 | 84.5 | 140 | 234 | 309 | M12 | 10 | 38 |
| 110 | 42h6 | 80 | 84.5 | 155 | 249 | 324 | M16 | 12 | 45 |
| 130 | 45h6 | 80 | 85 | 170 | 265 | 340 | M16 | 14 | 48.5 |