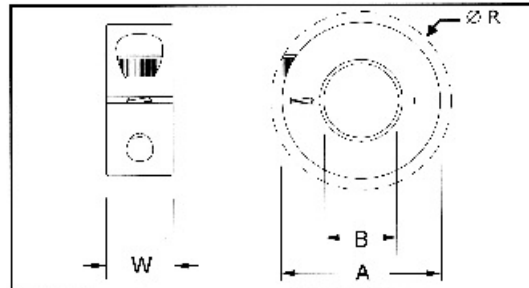
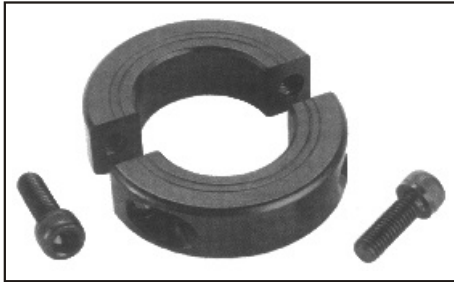


# SHAFT COLLARS



# Shaft Collars With Double Splits



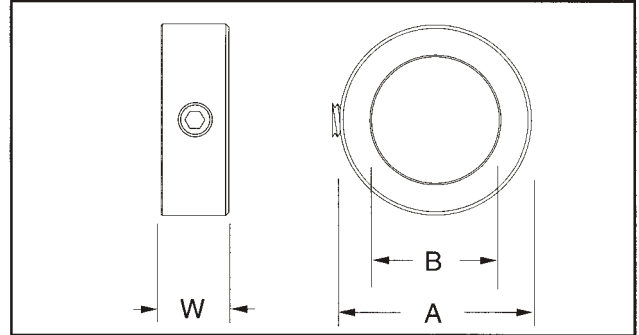
- Does not mar the shaft
- Single point faced
- Available with keyways
- Opposing screws available

- Width tolerance:  
+ .08mm  
- .25mm

PART NUMBER STEEL	PART NUMBER ALUMINUM	PART NUMBER STAINLESS STEEL	BORE B (mm)	OUTER DIAM.OD (mm)	WIDTH W (mm)	FORGED CLAMP SCREW
MSP-3-F	MSP-3-A	MSP-3-SS	3	16	9	M3X8
MSP-4-F	MSP-4-A	MSP-4-SS	4	16	9	M3X8
MSP-5-F	MSP-5-A	MSP-5-SS	5	16	9	M3X8
MSP-6-F	MSP-6-A	MSP-6-SS	6	16	9	M3X8
MSP-7-F	MSP-7-A	MSP-7-SS	7	18	9	M3X8
MSP-8-F	MSP-8-A	MSP-8-SS	8	18	9	M3X8
MSP-9-F	MSP-9-A	MSP-9-SS	9	24	9	M3X10
MSP-10-F	MSP-10-A	MSP-10-SS	10	24	9	M3X10
MSP-11-F	MSP-11-A	MSP-11-SS	11	28	11	M4X12
MSP-12-F	MSP-12-A	MSP-12-SS	12	28	11	M4X12
MSP-13-F	MSP-13-A	MSP-13-SS	13	30	11	M4X14
MSP-14-F	MSP-14-A	MSP-14-SS	14	30	11	M4X14
MSP-15-F	MSP-15-A	MSP-15-SS	15	34	13	M5X16
MSP-16-F	MSP-16-A	MSP-16-SS	16	34	13	M5X16
MSP-17-F	MSP-17-A	MSP-17-SS	17	36	13	M5X16
MSP-18-F	MSP-18-A	MSP-18-SS	18	36	13	M5X16
MSP-19-F	MSP-19-A	MSP-19-SS	19	40	15	M6X16
MSP-20-F	MSP-20-A	MSP-20-SS	20	40	15	M6X16
MSP-21-F	MSP-21-A	MSP-21-SS	21	42	15	M6X16
MSP-22-F	MSP-22-A	MSP-22-SS	22	42	15	M6X16
MSP-23-F	MSP-23-A	MSP-23-SS	23	45	15	M6X16
MSP-24-F	MSP-24-A	MSP-24-SS	24	45	15	M6X16
MSP-25-F	MSP-25-A	MSP-25-SS	25	45	15	M6X16
MSP-26-F	MSP-26-A	MSP-26-SS	26	48	15	M6X16
MSP-28-F	MSP-28-A	MSP-28-SS	28	48	15	M6X16
MSP-30-F	MSP-30-A	MSP-30-SS	30	54	15	M6X18
MSP-32-F	MSP-32-A	MSP-32-SS	32	54	15	M6X18
MSP-34-F	MSP-34-A	MSP-34-SS	34	57	15	M6X18
MSP-35-F	MSP-35-A	MSP-35-SS	35	57	15	M6X18
MSP-36-F	MSP-36-A	MSP-36-SS	36	57	15	M6X18
MSP-38-F	MSP-38-A	MSP-38-SS	38	60	15	M6X18
MSP-40-F	MSP-40-A	MSP-40-SS	40	60	15	M6X18
MSP-42-F	MSP-42-A	MSP-42-SS	42	73	19	M8X25
MSP-45-F	MSP-45-A	MSP-45-SS	45	73	19	M8X25
MSP-48-F	MSP-48-A	MSP-48-SS	48	78	19	M8X25
MSP-50-F	MSP-50-A	MSP-50-SS	50	78	19	M8X25
MSP-54-F		MSP-54-SS	54	82	19	M8X25
MSP-55-F		MSP-55-SS	55	82	19	M8X25
MSP-60-F		MSP-60-SS	60	88	19	M8X25
MSP-65-F		MSP-65-SS	65	93	19	M8X25
MSP-70-F		MSP-70-SS	70	98	19	M8X25
MSP-75-F		MSP-75-SS	75	103	19	M8X25
MSP-80-F		MSP-80-SS	80	108	19	M8X25

Note: Sizes MCL-40 through MCL-80 do not have backslot.

# Solid Shaft Collars

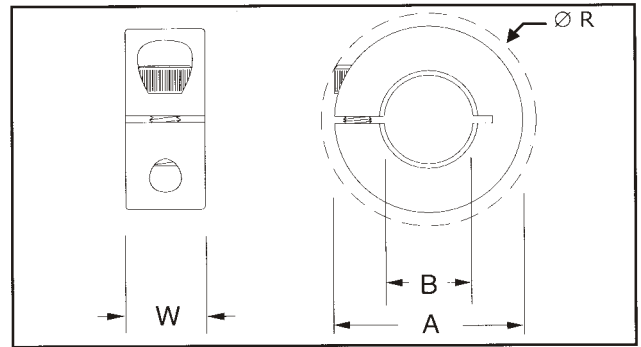
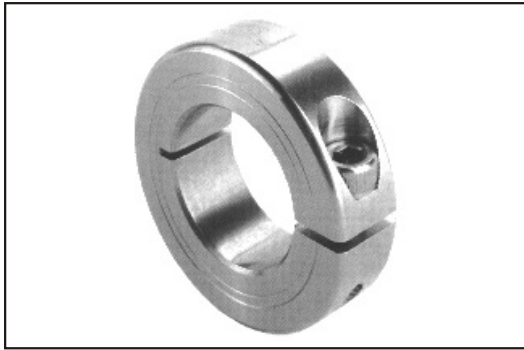


- Forged socket set screws
- Bore tolerance:  
+ .01 mm  
+ .05 mm

- Width tolerance:  
+ .08mm  
- .25mm

PART NUMBER STEEL	PART NUMBER STAINLESS STEEL	BORE B (mm)	OUTER DIAM.OD (mm)	WIDTH W (mm)	FORGED SET SCREW
MSC-4-F	MSC-4-SS	4	8	5	M2.5X3
MSC-5-F	MSC-5-SS	5	10	6	M3X4
MSC-6-F	MSC-6-SS	6	12	8	M4X4
MSC-8-F	MSC-8-SS	8	16	8	M4X4
MSC-10-F	MSC-10-SS	10	20	10	M5X5
MSC-12-F	MSC-12-SS	12	22	12	M6X6
MSC-14-F	MSC-14-SS	14	25	12	M6X6
MSC-15-F	MSC-15-SS	15	25	12	M6X6
MSC-16-F	MSC-16-SS	16	28	12	M6X8
MSC-18-F	MSC-18-SS	18	32	14	M6X8
MSC-20-F	MSC-20-SS	20	32	14	M6X8
MSC-22-F	MSC-22-SS	22	36	14	M6X8
MSC-25-F	MSC-25-SS	25	40	16	M8X8
MSC-28-F	MSC-28-SS	28	45	16	M8X10
MSC-30-F	MSC-30-SS	30	45	16	M8X8
MSC-32-F	MSC-32-SS	32	50	16	M8X10
MSC-35-F	MSC-35-SS	35	56	16	M8X12
MSC-38-F	MSC-38-SS	38	56	16	M8X10
MSC-40-F	MSC-40-SS	40	63	18	M10X12
MSC-45-F	MSC-45-SS	45	70	18	M10X12
MSC-50-F	MSC-50-SS	50	80	18	M10X16

# Shaft Collar With One Split



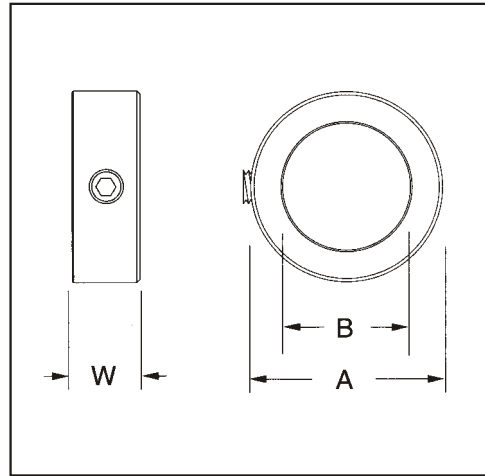
- Does not mar the shaft
- Single point faced

- Width tolerance:  
+ .08mm  
- .25mm

PART NUMBER STEEL	PART NUMBER ALUMINUM	PART NUMBER STAINLESS STEEL	BORE B (mm)	OUTER DIAM.OD (mm)	WIDTH W (mm)	FORGED CLAMP SCREW
MCL-3-F	MCL-3-A	MCL-3-SS	3	16	9	M3X8
MCL-4-F	MCL-4-A	MCL-4-SS	4	16	9	M3X8
MCL-5-F	MCL-5-A	MCL-5-SS	5	16	9	M3X8
MCL-6-F	MCL-6-A	MCL-6-SS	6	16	9	M3X8
MCL-7-F	MCL-7-A	MCL-7-SS	7	18	9	M3X8
MCL-8-F	MCL-8-A	MCL-8-SS	8	18	9	M3X8
MCL-9-F	MCL-9-A	MCL-9-SS	9	24	9	M3X10
MCL-10-F	MCL-10-A	MCL-10-SS	10	24	9	M3X10
MCL-11-F	MCL-11-A	MCL-11-SS	11	28	11	M4X12
MCL-12-F	MCL-12-A	MCL-12-SS	12	28	11	M4X12
MCL-13-F	MCL-13-A	MCL-13-SS	13	30	11	M4X14
MCL-14-F	MCL-14-A	MCL-14-SS	14	30	11	M4X14
MCL-15-F	MCL-15-A	MCL-15-SS	15	34	13	M5X16
MCL-16-F	MCL-16-A	MCL-16-SS	16	34	13	M5X16
MCL-17-F	MCL-17-A	MCL-17-SS	17	36	13	M5X16
MCL-18-F	MCL-18-A	MCL-18-SS	18	36	13	M5X16
MCL-19-F	MCL-19-A	MCL-19-SS	19	40	15	M6X16
MCL-20-F	MCL-20-A	MCL-20-SS	20	40	15	M6X16
MCL-21-F	MCL-21-A	MCL-21-SS	21	42	15	M6X16
MCL-22-F	MCL-22-A	MCL-22-SS	22	42	15	M6X16
MCL-23-F	MCL-23-A	MCL-23-SS	23	45	15	M6X16
MCL-24-F	MCL-24-A	MCL-24-SS	24	45	15	M6X16
MCL-25-F	MCL-25-A	MCL-25-SS	25	45	15	M6X16
MCL-26-F	MCL-26-A	MCL-26-SS	26	48	15	M6X16
MCL-28-F	MCL-28-A	MCL-28-SS	28	48	15	M6X16
MCL-30-F	MCL-30-A	MCL-30-SS	30	54	15	M6X18
MCL-32-F	MCL-32-A	MCL-32-SS	32	54	15	M6X18
MCL-34-F	MCL-34-A	MCL-34-SS	34	57	15	M6X18
MCL-35-F	MCL-35-A	MCL-35-SS	35	57	15	M6X18
MCL-36-F	MCL-36-A	MCL-36-SS	36	57	15	M6X18
MCL-38-F	MCL-38-A	MCL-38-SS	38	60	15	M6X18
MCL-40-F	MCL-40-A	MCL-40-SS	40	60	15	M6X18
MCL-42-F	MCL-42-A	MCL-42-SS	42	73	19	M8X25
MCL-45-F	MCL-45-A	MCL-45-SS	45	73	19	M8X25
MCL-48-F	MCL-48-A	MCL-48-SS	48	78	19	M8X25
MCL-50-F	MCL-50-A	MCL-50-SS	50	78	19	M8X25
MCL-54-F		MCL-54-SS	54	82	19	M8X25
MCL-55-F		MCL-55-SS	55	82	19	M8X25
MCL-60-F		MCL-60-SS	60	88	19	M8X25
MCL-65-F		MCL-65-SS	65	93	19	M8X25
MCL-70-F		MCL-70-SS	70	98	19	M8X25
MCL-75-F		MCL-75-SS	75	103	19	M8X25
MCL-80-F		MCL-80-SS	80	108	19	M8X25

Note: Sizes MCL-40 through MCL-80 do not have backslot.

# Solid Shaft Collars



- Forged socket set screws
- Width tolerance:  
+ .003"
- - .010"

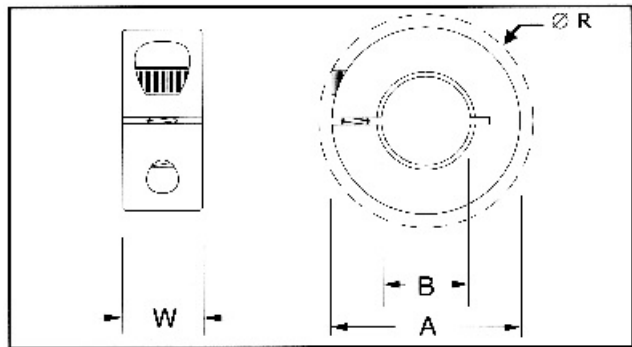
- Bore tolerances for SC styles:  
BORE TOLERANCE  
Up to 1" + 0.0005" to + 0.002"  
1-1/16" to 3" + 0.0005" to + 0.003"  
3-1/16" to 4" + 0.0010" to 0.004"

PART NUMBER STEEL	PART NUMBER ALUMINUM	PART NUMBER STAINLESS STEEL	BORE B (in)	OUTER DIAM. OD (in)	WIDTH W (in)	FORGED SET SCREW
SC-3-F	SC-3-A	SC-3-SS	0.1875	7/16	0.25	8 -32X 1/8
SC-4-F	SC-4-A	SC-4-SS	0.25	1/2	0.281	8 -32X 1/8
SC-5-F	SC-5-A	SC-5-SS	0.3125	5/8	0.344	10 -32X 5/32
SC-6-F	SC-6-A	SC-6-SS	0.375	3/4	0.375	1/4 -20X 3/16
SC-7-F	SC-7-A	SC-7-SS	0.4375	7/8	0.438	1/4 -20X 1/4
SC-8-F	SC-8-A	SC-8-SS	0.5	1	0.438	1/4 -20X 1/4
SC-9-F	SC-9-A	SC-9-SS	0.5625	1	0.438	1/4 -20X 1/4
SC-10-F	SC-10-A	SC-10-SS	0.625	1 1/8	0.50	5/16 -18X 1/4
SC-11-F	SC-11-A	SC-11-SS	0.6875	1 1/4	0.563	5/16 -18X 1/4
SC-12-F	SC-12-A	SC-12-SS	0.75	1 1/4	0.563	5/16 -18X 1/4
SC-13-F	SC-13-A	SC-13-SS	0.8125	1 5/16	0.563	5/16 -18X 1/4
SC-14-F	SC-14-A	SC-14-SS	0.875	1 1/2	0.563	5/16 -18X 5/16
SC-15-F	SC-15-A	SC-15-SS	0.9375	1 5/8	0.563	5/16 -18X 5/16
SC-16-F	SC-16-A	SC-16-SS	1	1 5/8	0.625	5/16 -18X 5/16
SC-17-F	SC-17-A	SC-17-SS	1.0625	1 3/4	0.625	5/16 -18X 5/16
SC-18-F	SC-18-A	SC-18-SS	1.125	1 3/4	0.625	5/16 -18X 5/16
SC-19-F	SC-19-A	SC-19-SS	1.1875	2	0.688	3/8 -16X 3/8
SC-20-F	SC-20-A	SC-20-SS	1.25	2	0.688	3/8 -16X 3/8
SC-21-F	SC-21-A	SC-21-SS	1.3125	2 1/8	0.688	3/8 -16X 3/8
SC-22-F	SC-22-A	SC-22-SS	1.375	2 1/8	0.75	3/8 -16X 3/8
SC-23-F	SC-23-A	SC-23-SS	1.4375	2 1/4	0.75	3/8 -16X 3/8
SC-24-F	SC-24-A	SC-24-SS	1.5	2 1/4	0.75	3/8 -16X 3/8
SC-25-F	SC-25-A	SC-25-SS	1.5625	2 1/2	0.813	3/8 -16X 3/8
SC-26-F	SC-26-A	SC-26-SS	1.625	2 1/2	0.813	3/8 -16X 3/8
SC-27-F	SC-27-A	SC-27-SS	1.6875	2 1/2	0.813	3/8 -16X 3/8

# Solid Shaft Collars

PART NUMBER STEEL	PART NUMBER ALUMINUM	PART NUMBER STAINLESS STEEL	BORE B (in)	OUTER DIAM.OD (in)	WIDTH W (in)	FORGED SET SCREW
SC-28-F	SC-28-A	SC-28-SS	1.75	2 <sup>3</sup> / <sub>4</sub>	0.875	1/2 – 13X 1/2
SC-29-F	SC-29-A	SC-29-SS	1.8125	2 <sup>3</sup> / <sub>4</sub>	0.875	1/2 – 13X 1/2
SC-30-F	SC-30-A	SC-30-SS	1.875	2 <sup>3</sup> / <sub>4</sub>	0.875	1/2 – 13X 1/2
SC-31-F	SC-31-A	SC-31-SS	1.9375	3	0.875	1/2 – 13X 1/2
SC-32-F	SC-32-A	SC-32-SS	2	3	0.875	1/2 – 13X 1/2
SC-33-F	SC-33-A	SC-33-SS	2.0625	3	0.875	1/2 – 13X 1/2
SC-34-F	SC-34-A	SC-34-SS	2.125	3	0.875	1/2 – 13X 1/2
SC-35-F	SC-35-A	SC-35-SS	2.1875	3 <sup>1</sup> / <sub>4</sub>	0.938	1/2 – 13X 1/2
SC-36-F	SC-36-A	SC-36-SS	2.25	3 <sup>1</sup> / <sub>4</sub>	0.938	1/2 – 13X 1/2
SC-37-F	SC-37-A	SC-37-SS	2.3125	3 <sup>3</sup> / <sub>8</sub>	0.938	1/2 – 13X 1/2
SC-38-F	SC-38-A	SC-38-SS	2.375	3 <sup>1</sup> / <sub>2</sub>	0.938	1/2 – 13X 1/2
SC-39-F	SC-39-A	SC-39-SS	2.4375	3 <sup>1</sup> / <sub>2</sub>	1	1/2 – 13X 1/2
SC-40-F	SC-40-A	SC-40-SS	2.5	3 <sup>3</sup> / <sub>4</sub>	1	1/2 – 13X 1/2
SC-41-F	SC-41-A	SC-41-SS	2.5625	3 <sup>3</sup> / <sub>4</sub>	1.125	1/2 – 13X <sup>9</sup> / <sub>16</sub>
SC-42-F	SC-42-A	SC-42-SS	2.625	3 <sup>3</sup> / <sub>4</sub>	1.125	1/2 – 13X <sup>9</sup> / <sub>16</sub>
SC-43-F	SC-43-A	SC-43-SS	2.6875	4	1.125	1/2 – 13X <sup>5</sup> / <sub>8</sub>
SC-44-F	SC-44-A	SC-44-SS	2.75	4	1.125	1/2 – 13X <sup>5</sup> / <sub>8</sub>
SC-45-F	SC-45-A	SC-45-SS	2.8125	4 <sup>1</sup> / <sub>4</sub>	1.125	1/2 – 13X <sup>5</sup> / <sub>8</sub>
SC-46-F	SC-46-A	SC-46-SS	2.875	4 <sup>1</sup> / <sub>4</sub>	1.125	1/2 – 13X <sup>5</sup> / <sub>8</sub>
SC-47-F	SC-47-A	SC-47-SS	2.9375	4 <sup>1</sup> / <sub>4</sub>	1.125	1/2 – 13X <sup>5</sup> / <sub>8</sub>
SC-48-F	SC-48-A	SC-48-SS	3	4 <sup>1</sup> / <sub>4</sub>	1.125	1/2 – 13X <sup>5</sup> / <sub>8</sub>
SC-49-F	SC-49-A	SC-49-SS	3.0625	4 <sup>1</sup> / <sub>2</sub>	1.125	1/2 – 13X <sup>5</sup> / <sub>8</sub>
SC-50-F	SC-50-A	SC-50-SS	3.125	4 <sup>1</sup> / <sub>2</sub>	1.125	1/2 – 13X <sup>5</sup> / <sub>8</sub>
SC-51-F	SC-51-A	SC-51-SS	3.1875	4 <sup>1</sup> / <sub>2</sub>	1.125	1/2 – 13X <sup>5</sup> / <sub>8</sub>
SC-52-F	SC-52-A	SC-52-SS	3.25	4 <sup>1</sup> / <sub>2</sub>	1.125	1/2 – 13X <sup>5</sup> / <sub>8</sub>
SC-53-F	SC-53-A	SC-53-SS	3.3125	4 <sup>3</sup> / <sub>4</sub>	1.125	1/2 – 13X <sup>5</sup> / <sub>8</sub>
SC-54-F	SC-54-A	SC-54-SS	3.375	4 <sup>3</sup> / <sub>4</sub>	1.125	1/2 – 13X <sup>5</sup> / <sub>8</sub>
SC-55-F	SC-55-A	SC-55-SS	3.4375	4 <sup>3</sup> / <sub>4</sub>	1.125	1/2 – 13X <sup>5</sup> / <sub>8</sub>
SC-56-F	SC-56-A	SC-56-SS	3.5	4 <sup>3</sup> / <sub>4</sub>	1.125	1/2 – 13X <sup>5</sup> / <sub>8</sub>
SC-57-F	SC-57-A	SC-57-SS	3.5625	5	1.125	1/2 – 13X <sup>5</sup> / <sub>8</sub>
SC-58-F	SC-58-A	SC-58-SS	3.625	5	1.125	1/2 – 13X <sup>5</sup> / <sub>8</sub>
SC-59-F	SC-59-A	SC-59-SS	3.6875	5	1.125	1/2 – 13X <sup>5</sup> / <sub>8</sub>
SC-60-F	SC-60-A	SC-60-SS	3.75	5	1.125	1/2 – 13X <sup>5</sup> / <sub>8</sub>
SC-61-F	SC-61-A	SC-61-SS	3.8125	5 <sup>1</sup> / <sub>4</sub>	1.125	1/2 – 13X <sup>5</sup> / <sub>8</sub>
SC-62-F	SC-62-A	SC-62-SS	3.875	5 <sup>1</sup> / <sub>4</sub>	1.125	1/2 – 13X <sup>5</sup> / <sub>8</sub>
SC-63-F	SC-63-A	SC-63-SS	3.9375	5 <sup>1</sup> / <sub>4</sub>	1.125	1/2 – 13X <sup>5</sup> / <sub>8</sub>
SC-64-F	SC-64-A	SC-64-SS	4	5 <sup>1</sup> / <sub>4</sub>	1.125	1/2 – 13X <sup>5</sup> / <sub>8</sub>

# Shaft Collar With One Split



- Does not mar the shaft
- Single point faced

- Width tolerance:  
+ .0030"
- - .010"

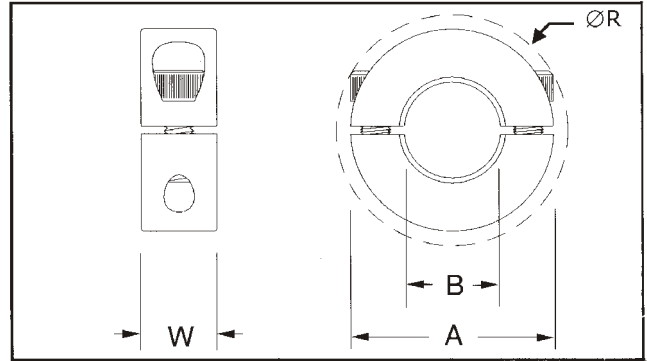
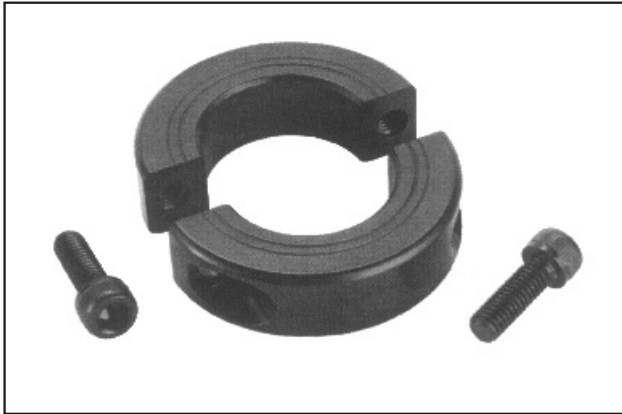
PART NUMBER STEEL	PART NUMBER ALUMINUM	PART NUMBER STAINLESS STEEL	BORE B (in)	OUTER DIAM. OD (in)	WIDTH W (in)	FORGED CLAMP SCREW
SCS-2-FL-2-F	SCS-2-A	SCS-2-SS	0.125	5/8	0.281	4 - 40X 5/16
SCS-3-F	SCS-3-A	SCS-3-SS	0.1875	5/8	0.281	4 - 40X 5/16
SCS-4-F	SCS-4-A	SCS-4-SS	0.25	5/8	0.281	4 - 40X 5/16
SCS-5-F	SCS-5-A	SCS-5-SS	0.3125	11/16	0.281	4 - 40X 5/16
SCS-6-F	SCS-6-A	SCS-6-SS	0.375	7/8	0.343	6 - 32X 3/8
SCS-7-F	SCS-7-A	SCS-7-SS	0.4375	15/16	0.343	6 - 32X 3/8
SCS-8-F	SCS-8-A	SCS-8-SS	0.5	1 1/8	0.406	8 - 32X 1/2
SCS-9-F	SCS-9-A	SCS-9-SS	0.5625	1 1/4	0.437	10 - 32X 1/2
SCS-10-F	SCS-10-A	SCS-10-SS	0.625	1 5/16	0.437	10 - 32X 1/2
SCS-11-F	SCS-11-A	SCS-11-SS	0.6875	1 3/8	0.437	10 - 32X 1/2
SCS-12-F	SCS-12-A	SCS-12-SS	0.75	1 1/2	0.5	1/4 - 28X 5/8
SCS-13-F	SCS-13-A	SCS-13-SS	0.8125	1 5/8	0.5	1/4 - 28X 5/8
SCS-14-F	SCS-14-A	SCS-14-SS	0.875	1 5/8	0.5	1/4 - 28X 5/8
SCS-15-F	SCS-15-A	SCS-15-SS	0.9375	1 3/4	0.5	1/4 - 28X 11/16
SCS-16-F	SCS-16-A	SCS-16-SS	1	1 3/4	0.5	1/4 - 28X 11/16
SCS-17-F	SCS-17-A	SCS-17-SS	1.0625	1 7/8	0.5	1/4 - 28X 11/16
SCS-18-F	SCS-18-A	SCS-18-SS	1.125	1 7/8	0.5	1/4 - 28X 11/16
SCS-19-F	SCS-19-A	SCS-19-SS	1.1875	2 1/16	0.5	1/4 - 28X 11/16
SCS-20-F	SCS-20-A	SCS-20-SS	1.25	2 1/16	0.5	1/4 - 28X 11/16
SCS-21-F	SCS-21-A	SCS-21-SS	1.3125	2 1/8	0.563	1/4 - 28X 3/4

# Shaft Collar With One Split

PART NUMBER STEEL	PART NUMBER ALUMINUM	PART NUMBER STAINLESS STEEL	BORE B (in)	OUTER DIAM.OD (in)	WIDTH W (in)	FORGED CLAMP SCREW
SCS-22-F	SCS-22-A	SCS-22-SS	1.375	2 <sup>1</sup> / <sub>4</sub>	0.563	1/4 -28X 3/4
SCS-23-F	SCS-23-A	SCS-23-SS	1.4375	2 <sup>1</sup> / <sub>4</sub>	0.563	1/4 - 28X 3/4
SCS-24-F	SCS-24-A	SCS-24-SS	1.5	2 <sup>3</sup> / <sub>8</sub>	0.563	1/4 - 28X 3/4
SCS-25-F	SCS-25-A	SCS-25-SS	1.5625	2 <sup>3</sup> / <sub>8</sub>	0.563	1/4 - 28X 3/4
SCS-26-F	SCS-26-A	SCS-26-SS	1.625	2 <sup>5</sup> / <sub>8</sub>	0.688	5/16 - 24X 7/8
SCS-27-F	SCS-27-A	SCS-27-SS	1.6875	2 <sup>3</sup> / <sub>4</sub>	0.688	5/16 - 24X 7/8
SCS-28-F	SCS-28-A	SCS-28-SS	1.75	2 <sup>3</sup> / <sub>4</sub>	0.688	5/16 - 24X 7/8
SCS-29-F	SCS-29-A	SCS-29-SS	1.8125	2 <sup>7</sup> / <sub>8</sub>	0.688	5/16 - 24X 7/8
SCS-30-F	SCS-30-A	SCS-30-SS	1.875	2 <sup>7</sup> / <sub>8</sub>	0.688	5/16 - 24X 7/8
SCS-31-F	SCS-31-A	SCS-31-SS	1.9375	3	0.688	5/16 - 24X 7/8
SCS-32-F	SCS-32-A	SCS-32-SS	2	3	0.688	5/16 - 24X 7/8
SCS-33-F	SCS-33-A	SCS-33-SS	2.0625	3 <sup>1</sup> / <sub>8</sub>	0.75	5/16 - 24X 7/8
SCS-34-F	SCS-34-A	SCS-34-SS	2.125	3 <sup>1</sup> / <sub>4</sub>	0.75	5/16 - 24X 7/8
SCS-35-F	SCS-35-A	SCS-35-SS	2.1875	3 <sup>1</sup> / <sub>4</sub>	0.75	5/16 - 24X 7/8
SCS-36-F	SCS-36-A	SCS-36-SS	2.25	3 <sup>1</sup> / <sub>4</sub>	0.75	5/16 - 24X 7/8
SCS-37-F	SCS-37-A	SCS-37-SS	2.3125	3 <sup>3</sup> / <sub>8</sub>	0.75	5/16 -24X1
SCS-38-F	SCS-38-A	SCS-38-SS	2.375	3 <sup>1</sup> / <sub>2</sub>	0.75	5/16 -24X1
SCS-39-F	SCS-39-A	SCS-39-SS	2.4375	3 <sup>1</sup> / <sub>2</sub>	0.75	5/16 -24X1
SCS-40-F	SCS-40-A	SCS-40-SS	2.5	3 <sup>3</sup> / <sub>4</sub>	0.875	3/8 -24X1
SCS-41-F	SCS-41-A	SCS-41-SS	2.5625	3 <sup>7</sup> / <sub>8</sub>	0.875	3/8 -24X1
SCS-42-F	SCS-42-A	SCS-42-SS	2.625	3 <sup>7</sup> / <sub>8</sub>	0.875	3/8 -24X1
SCS-43-F	SCS-43-A	SCS-43-SS	2.6875	4	0.875	3/8 -24X1
SCS-44-F	SCS-44-A	SCS-44-SS	2.75	4	0.875	3/8 -24X1
SCS-45-F	SCS-45-A	SCS-45-SS	2.8125	4 <sup>1</sup> / <sub>4</sub>	0.875	3/8 -24X1 <sup>1</sup> / <sub>8</sub>
SCS-46-F	SCS-46-A	SCS-46-SS	2.875	4 <sup>1</sup> / <sub>4</sub>	0.875	3/8 -24X1 <sup>1</sup> / <sub>8</sub>
SCS-47-F	SCS-47-A	SCS-47-SS	2.9375	4 <sup>1</sup> / <sub>4</sub>	0.875	3/8 -24X1 <sup>1</sup> / <sub>8</sub>
SCS-48-F	SCS-48-A	SCS-48-SS	3	4 <sup>1</sup> / <sub>4</sub>	0.875	3/8 -24X1 <sup>1</sup> / <sub>8</sub>
Note: Sizes SCS-25 through SCS-48 do not have backslot.						



# Shaft Collars With Double Splits



- Does not mar the shaft
- Single point faced
- Available with keyways
- Opposing screws available

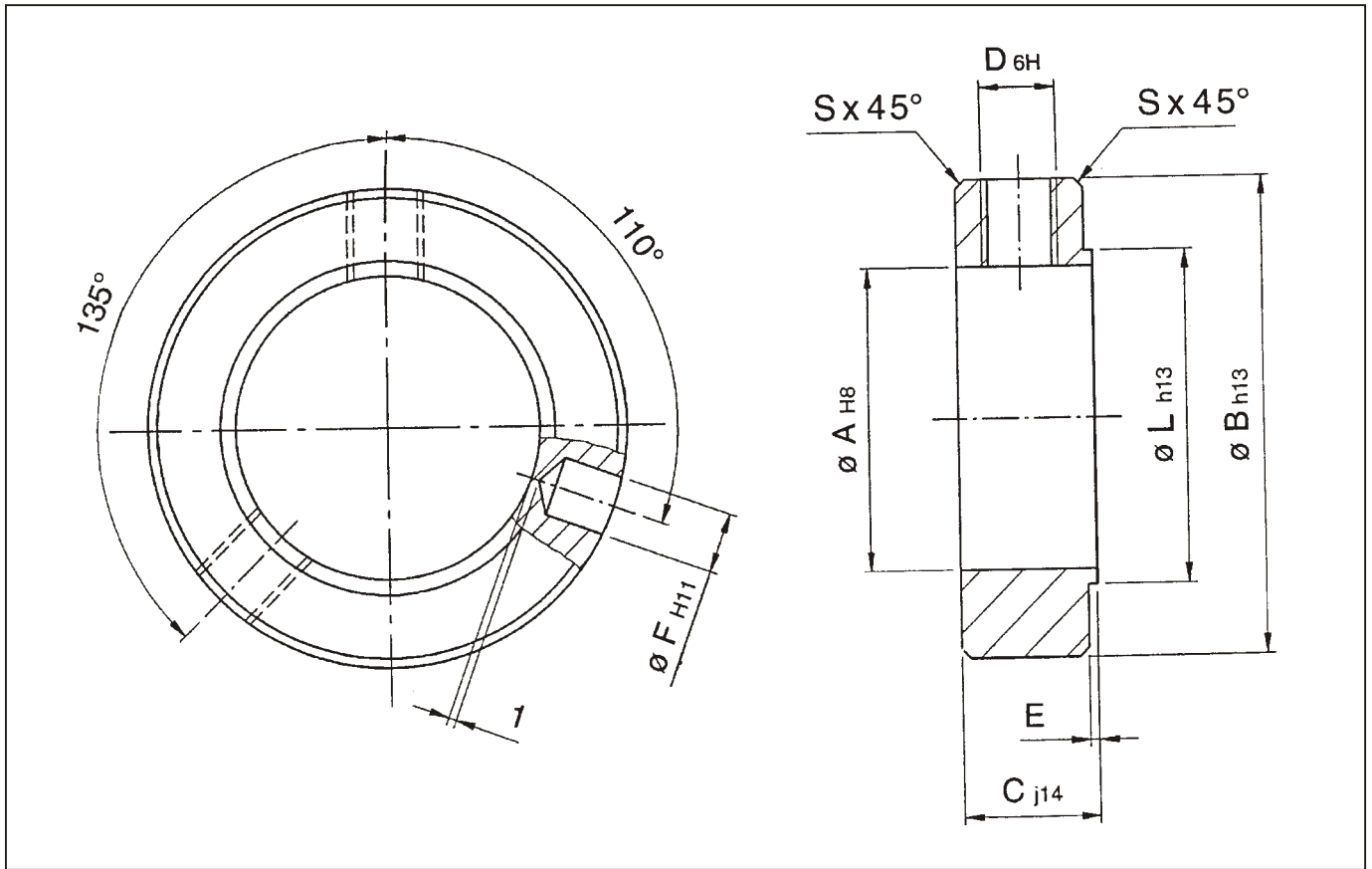
- Width tolerance:  
+ .003"  
- .010"

PART NUMBER STEEL	PART NUMBER ALUMINUM	PART NUMBER STAINLESS STEEL	BORE B (in)	OUTER DIAM. OD (in)	WIDTH W (in)	FORGED CLAMP SCREW
SP-2-F	SP-2-A	SP-2-SS	0.1250	5/8	0.281	4 - 40X 5/16
SP-3-F	SP-3-A	SP-3-SS	0.1875	5/8	0.281	4 - 40X 5/16
SP-4-F	SP-4-A	SP-4-SS	0.2500	5/8	0.281	4 - 40X 5/16
SP-5-F	SP-5-A	SP-5-SS	0.3125	11/16	0.281	4 - 40X 5/16
SP-6-F	SP-6-A	SP-6-SS	0.3750	7/8	0.343	6 - 32X 3/8
SP-7-F	SP-7-A	SP-7-SS	0.4375	15/16	0.343	6 - 32X 3/8
SP-8-F	SP-8-A	SP-8-SS	0.5000	1 1/8	0.406	8 - 32X 1/2
SP-9-F	SP-9-A	SP-9-SS	0.5625	1 1/4	0.437	10 - 32X 1/2
SP-10-F	SP-10-A	SP-10-SS	0.6250	1 5/16	0.437	10 - 32X 1/2
SP-11-F	SP-11-A	SP-11-SS	0.6875	1 3/8	0.437	10 - 32X 1/2
SP-12-F	SP-12-A	SP-12-SS	0.7500	1 1/2	0.500	1/4 - 28X 5/8
SP-13-F	SP-13-A	SP-13-SS	0.8125	1 5/8	0.500	1/4 - 28X 5/8
SP-14-F	SP-14-A	SP-14-SS	0.8750	1 5/8	0.500	1/4 - 28X 5/8
SP-15-F	SP-15-A	SP-15-SS	0.9375	1 3/4	0.500	1/4 - 28X 11/16
SP-16-F	SP-16-A	SP-16-SS	1.0000	1 3/4	0.500	1/4 - 28X 11/16
SP-17-F	SP-17-A	SP-17-SS	1.0625	1 7/8	0.500	1/4 - 28X 11/16
SP-18-F	SP-18-A	SP-18-SS	1.1250	1 7/8	0.500	1/4 - 28X 11/16
SP-19-F	SP-19-A	SP-19-SS	1.1875	2 1/16	0.500	1/4 - 28X 11/16
SP-20-F	SP-20-A	SP-20-SS	1.2500	2 1/16	0.500	1/4 - 28X 11/16
SP-21-F	SP-21-A	SP-21-SS	1.3125	2 1/8	0.563	1/4 - 28X 3/4
SP-22-F	SP-22-A	SP-22-SS	1.3750	2 1/4	0.563	1/4 - 28X 3/4
SP-23-F	SP-23-A	SP-23-SS	1.4375	2 1/4	0.563	1/4 - 28X 3/4
SP-24-F	SP-24-A	SP-24-SS	1.5000	2 3/8	0.563	1/4 - 28X 3/4
SP-25-F	SP-25-A	SP-25-SS	1.5625	2 3/8	0.563	1/4 - 28X 3/4
SP-26-F	SP-26-A	SP-26-SS	1.6250	2 5/8	0.668	5/16 - 24X 7/8

# Shaft Collars With Double Splits

PART NUMBER STEEL	PART NUMBER ALUMINUM	PART NUMBER STAINLESS STEEL	BORE B (in)	OUTER DIAM. OD (in)	WIDTH W (in)	FORGED CLAMP SCREW
SP-27-F	SP-27-A	SP-27-SS	1.6875	2 <sup>3</sup> / <sub>4</sub>	0.688	5/16-24X 7/8
SP-28-F	SP-28-A	SP-28-SS	1.7500	2 <sup>3</sup> / <sub>4</sub>	0.688	5/16-24X 7/8
SP-29-F	SP-29-A	SP-29-SS	1.8125	2 <sup>7</sup> / <sub>8</sub>	0.688	5/16-24X 7/8
SP-30-F	SP-30-A	SP-30-SS	1.875	2 <sup>7</sup> / <sub>8</sub>	0.688	5/16-24X 7/8
SP-31-F	SP-31-A	SP-31-SS	1.9375	3	0.688	5/16-24X 7/8
SP-32-F	SP-32-A	SP-32-SS	2.0000	3	0.688	5/16-24X 7/8
SP-33-F	SP-33-A	SP-33-SS	2.0625	3 <sup>1</sup> / <sub>8</sub>	0.750	5/16-24X 7/8
SP-34-F	SP-34-A	SP-34-SS	2.1250	3 <sup>1</sup> / <sub>4</sub>	0.750	5/16-24X 7/8
SP-35-F	SP-35-A	SP-35-SS	2.1875	3 <sup>1</sup> / <sub>4</sub>	0.750	5/16-24X 7/8
SP-36-F	SP-36-A	SP-36-SS	2.2500	3 <sup>1</sup> / <sub>4</sub>	0.750	5/16-24X 7/8
SP-37-F	SP-37-A	SP-37-SS	2.3125	3 <sup>3</sup> / <sub>8</sub>	0.750	5/16-24X 1
SP-38-F	SP-38-A	SP-38-SS	2.3750	3 <sup>1</sup> / <sub>2</sub>	0.750	5/16-24X 1
SP-39-F	SP-39-A	SP-39-SS	2.4375	3 <sup>1</sup> / <sub>2</sub>	0.750	5/16-24X 1
SP-40-F	SP-40-A	SP-40-SS	2.5000	3 <sup>3</sup> / <sub>4</sub>	0.875	3/8 - 24X1
SP-41-F	SP-41-A	SP-41-SS	2.5625	3 <sup>7</sup> / <sub>8</sub>	0.875	3/8 - 24X1
SP-42-F	SP-42-A	SP-42-SS	2.6250	3 <sup>7</sup> / <sub>8</sub>	0.875	3/8 - 24X1
SP-43-F	SP-43-A	SP-43-SS	2.6875	4	0.875	3/8 - 24X1
SP-44-F	SP-44-A	SP-44-SS	2.7500	4	0.875	3/8 - 24X1
SP-45-F	SP-45-A	SP-45-SS	2.8125	4	0.875	3/8 - 24X1 <sup>1</sup> / <sub>8</sub>
SP-46-F	SP-46-A	SP-46-SS	2.8750	4 <sup>1</sup> / <sub>4</sub>	0.875	3/8 - 24X1 <sup>1</sup> / <sub>8</sub>
SP-47-F	SP-47-A	SP-47-SS	2.9375	4 <sup>1</sup> / <sub>4</sub>	0.875	3/8 - 24X1 <sup>1</sup> / <sub>8</sub>
SP-48-F	SP-48-A	SP-48-SS	3.0000	4 <sup>1</sup> / <sub>4</sub>	0.875	3/8 - 24X1 <sup>1</sup> / <sub>8</sub>
SP-49-F		SP-49-SS	3.0625	4 <sup>1</sup> / <sub>4</sub>	0.875	3/8 - 24X1 <sup>1</sup> / <sub>4</sub>
SP-50-F		SP-50-SS	3.1250	4 <sup>1</sup> / <sub>2</sub>	0.875	3/8 - 24X1 <sup>1</sup> / <sub>4</sub>
SP-51-F		SP-51-SS	3.1875	4 <sup>1</sup> / <sub>2</sub>	0.875	3/8 - 24X1 <sup>1</sup> / <sub>4</sub>
SP-52-F		SP-52-SS	3.2500	4 <sup>1</sup> / <sub>2</sub>	0.875	3/8 - 24X1 <sup>1</sup> / <sub>4</sub>
SP-53-F		SP-53-SS	3.3125	4 <sup>1</sup> / <sub>2</sub>	0.875	3/8 - 24X1 <sup>1</sup> / <sub>4</sub>
SP-54-F		SP-54-SS	3.3750	4 <sup>3</sup> / <sub>4</sub>	0.875	3/8 - 24X1 <sup>1</sup> / <sub>4</sub>
SP-55-F		SP-55-SS	3.4375	4 <sup>3</sup> / <sub>4</sub>	0.875	3/8 - 24X1 <sup>1</sup> / <sub>4</sub>
SP-56-F		SP-56-SS	3.5000	4 <sup>3</sup> / <sub>4</sub>	0.875	3/8 - 24X1 <sup>1</sup> / <sub>4</sub>
SP-57-F		SP-57-SS	3.5625	5 <sup>3</sup> / <sub>4</sub>	0.875	3/8 - 24X1 <sup>1</sup> / <sub>4</sub>
SP-58-F		SP-58-SS	3.6250	5	0.875	3/8 - 24X1 <sup>1</sup> / <sub>4</sub>
SP-59-F		SP-59-SS	3.6875	5	0.875	3/8 - 24X1 <sup>1</sup> / <sub>4</sub>
SP-60-F		SP-60-SS	3.7500	5	0.875	3/8 - 24X1 <sup>1</sup> / <sub>4</sub>
SP-61-F		SP-61-SS	3.8125	5 <sup>1</sup> / <sub>4</sub>	0.875	3/8 - 24X1 <sup>1</sup> / <sub>4</sub>
SP-62-F		SP-62-SS	3.8750	5 <sup>1</sup> / <sub>4</sub>	0.875	3/8 - 24X1 <sup>1</sup> / <sub>4</sub>
SP-63-F		SP-63-SS	3.9375	5 <sup>1</sup> / <sub>4</sub>	0.875	3/8 - 24X1 <sup>1</sup> / <sub>4</sub>
SP-64-F		SP-64-SS	4.0000	5 <sup>1</sup> / <sub>4</sub>	0.875	3/8 - 24X1 <sup>1</sup> / <sub>4</sub>

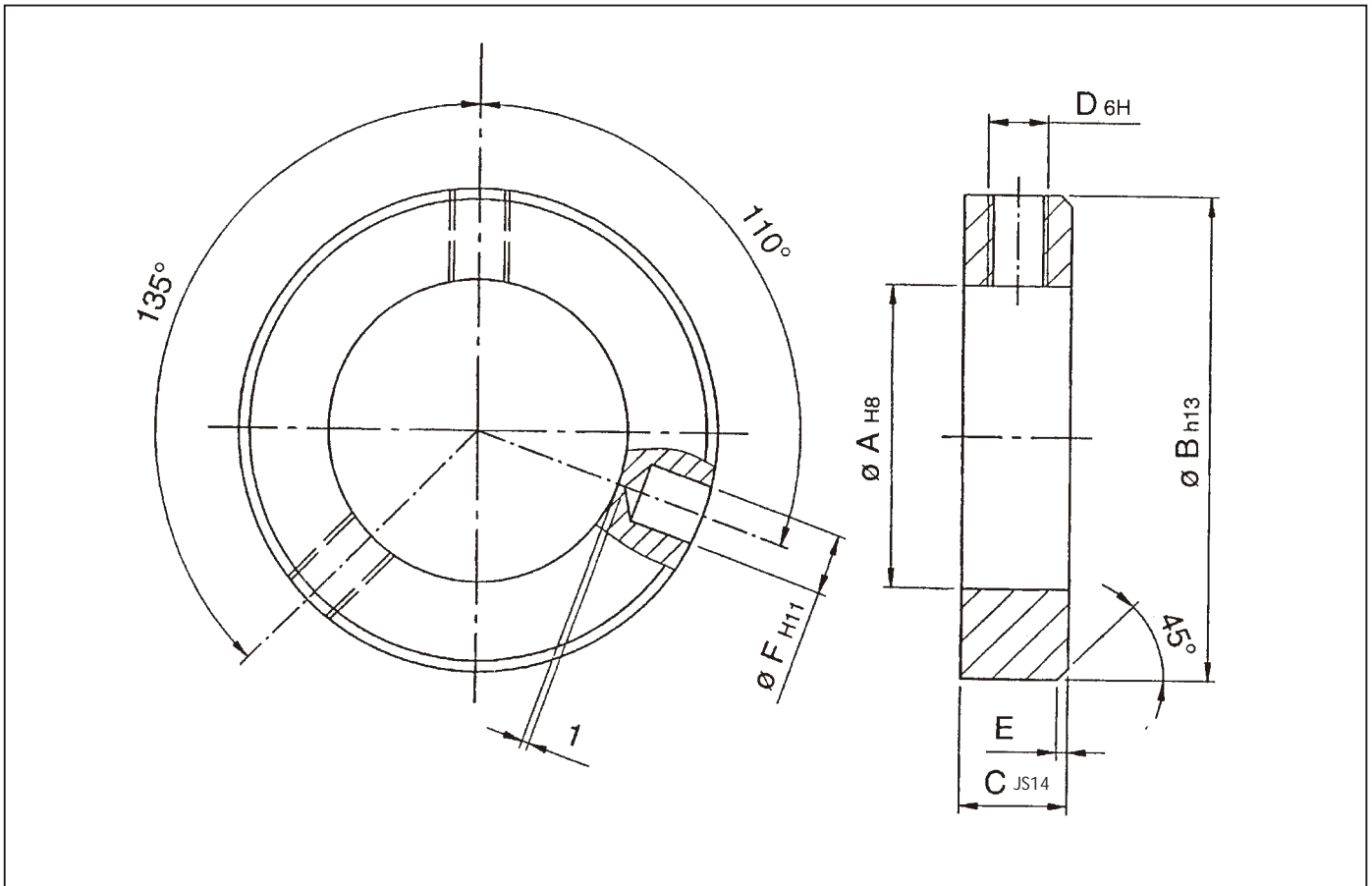
# Standardized Collars Form S-AB



MATERIAL: C45

Type	A	B	C	D	E	F	L	S
S-AB 6	6	12	8	M4	0.6	1.5	8	0.3
S-AB 8	8	16	8	M4	0.8	2	10	0.3
S-AB 10	10	20	10	M5	0.8	3	13	0.3
S-AB 12	12	22	12	M5	0.8	4	15	0.5
S-AB 15	15	25	12	M6	1	4	18	0.6
S-AB 17	17	28	12	M6	1	4	20	0.6
S-AB 20	20	32	14	M6	1	5	24	0.8
S-AB 25	25	40	16	M6	1	6	29	0.8
S-AB 30	30	45	16	M8	1.2	6	34	1
S-AB 35	35	56	16	M8	1.2	8	39	1
S-AB 40	40	63	18	M10	1.2	8	44	1

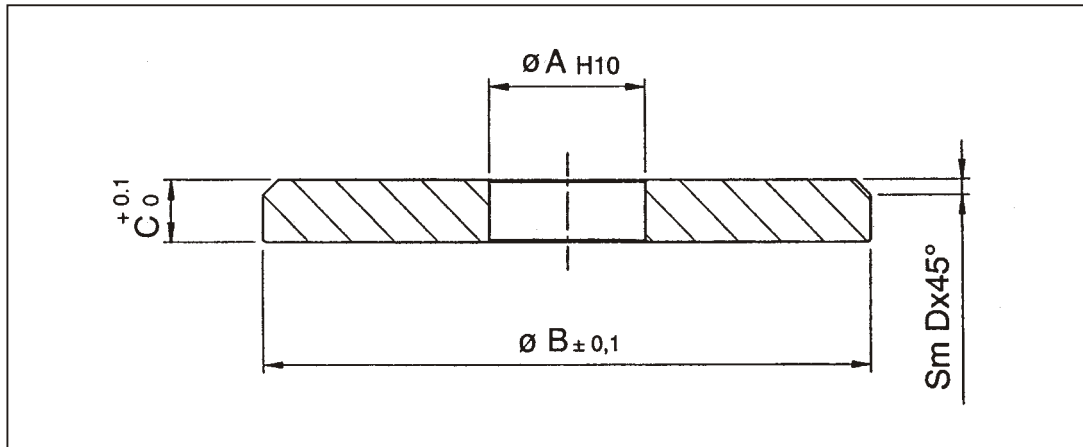
# Standardized Collars Din 705



MATERIAL: C45

Type	A	B	C	D	E	F
S-ABU 6	6	12	8	M4	0.8	1.5
S-ABU 8	8	16	8	M4	0.8	2
S-ABU 10	10	20	10	M5	1	3
S-ABU 12	12	22	12	M6	1.2	4
S-ABU 15	15	25	12	M6	1.2	4
S-ABU 16	16	28	12	M6	1.2	4
S-ABU 17	17	28	12	M6	1.2	4
S-ABU 18	18	32	14	M6	1.4	5
S-ABU 20	20	32	14	M6	1.4	5
S-ABU 25	25	40	16	M8	1.6	6
S-ABU 30	30	45	16	M8	1.6	6
S-ABU 35	35	56	16	M8	1.6	8
S-ABU 40	40	63	18	M10	1.8	8
S-ABU 45	45	70	18	M10	1.8	8
S-ABU 50	50	80	18	M10	1.8	10
S-ABU 60	60	90	20	M10	2	10
S-ABU 70	70	100	20	M10	2	10

# Thick Turned Washers In Compliance



MATERIAL: C45

Type	A	B	C	D
S-RGS 3 - 10	3.2	10	2	0.5
S-RGS 4 - 10	4.2	10	2	0.5
S-RGS 4 - 15	4.2	15	3	0.5
S-RGS 5 - 15	5.2	15	3	0.5
S-RGS 5 - 20	5.2	20	3	0.5
S-RGS 5 - 25	5.2	25	4	1
S-RGS 5 - 30	5.2	30	4	1
S-RGS 6 - 15	6.2	15	3	0.5
S-RGS 6 - 20	6.2	20	3	0.5
S-RGS 6 - 25	6.2	25	4	1
S-RGS 6 - 30	6.2	30	4	1
S-RGS 6 - 35	6.2	35	5	1
S-RGS 6 - 40	6.5	40	5	1
S-RGS 8 - 20	8.5	20	4	0.5
S-RGS 8 - 25	8.5	25	4	1
S-RGS 8 - 30	8.5	30	4	1
S-RGS 8 - 35	8.5	35	5	1
S-RGS 8 - 40	8.5	40	5	1
S-RGS 8 - 45	8.5	45	5	2
S-RGS 8 - 50	8.5	50	6	2
S-RGS 10 - 25	10.5	25	4	1
S-RGS 10 - 35	10.5	35	5	1
S-RGS 10 - 40	10.5	40	5	1
S-RGS 10 - 45	10.5	45	5	2
S-RGS 10 - 50	10.5	50	6	2
S-RGS 12 - 50	12.5	50	6	2